

# DYNAMIC & STATIC LOAD PERFORMANCE TESTING TO AS/NZS 5532:2013

(MANUFACTURING REQUIREMENTS FOR SINGLE POINT ANCHOR DEVICE USED FOR HARNESS BASED WORK)

1029 MOUNTAIN HWY  
BORONIA VIC 3155  
AUSTRALIA

T 1300 301755  
F 1300 881 092  
E SALES@SAYFA.COM.AU



3SIXTY AP130.10 Top Mount  
Anchor  
- 15kN Rated



Sayfa Group certifies that the  
**3SIXTY AP130.10 Top Mount Anchor Point**  
is designed, manufactured and tested in  
accordance with AS/NZS 5532:2013 subject  
to installation of roof deck and anchor point in  
accordance with the manufacturer's requirements.

TEST IDENTIFICATION: 0115/457

ROOF DECK PROFILE: Everbright Roofing

ROOF SHEET (BMT): Everbright E610 panels with locking system LS1.

ANCHOR LOAD LIMIT: 15kN (Single Person - Free Fall Arrest)

ISSUED ON THIS DAY OF: 29 January 2015



#### DISCLAIMER

Any change made to the roof deck design, material composition or installation method will void this certification.

All Sayfa products must be installed and used by competent personnel trained in the selection, safe use and maintenance of fall arrest systems and equipment by a registered training organisation (RTO).

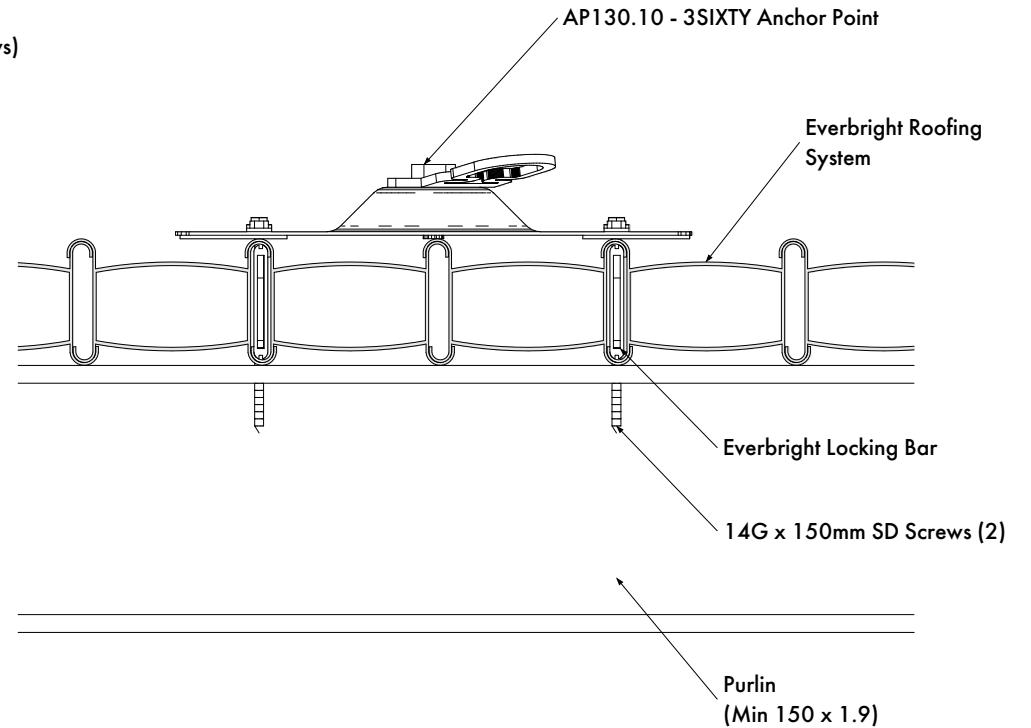
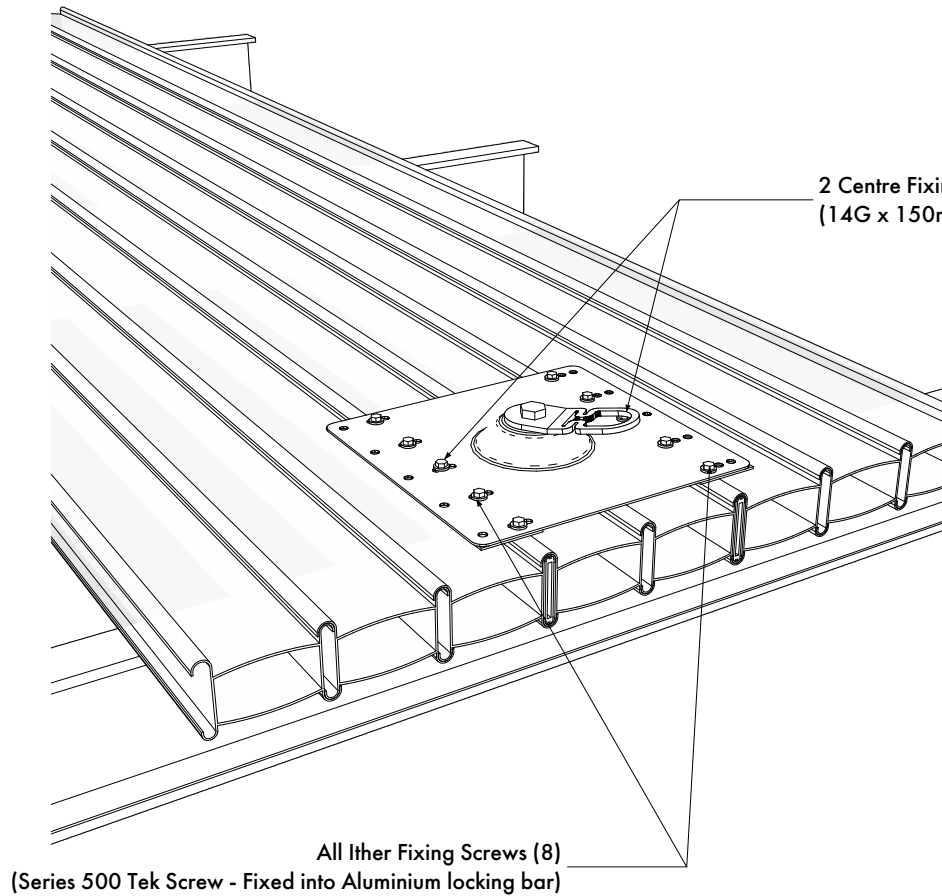
Installation not in accordance with Sayfa requirements or the use of non Sayfa components will void all certification and warranties.

Suitability of support structure and design layout of system is the responsibility of the installer and should be verified by a structural engineer or a site specific live load test done to ensure conformance.

Maintenance and usage of the system in accordance with Sayfa requirements is the responsibility of the owner or manager of the workplace.

TEST CERTIFICATION  
ANCHOR POINT PERFORMANCE





NOTE: All Drawings are designed to comply with current Australian Standards and Compliance Codes for maintenance access. Should system require compliance with additional regulation or standard, SAYFA must be notified.



Sayfa Group  
 1029 Mountain Highway  
 Boronia Vic 3155  
 Tel:- 03 8727 9000  
 Fax:- 03 8727 9002  
 Email:- technical@sayfa.com.au  
 Web:- www.sayfa.com.au

**SAYFA SYSTEMS CONFIDENTIAL MATERIAL**  
 This drawing is copyright© and all rights are reserved. The design and specifications contained herein are confidential and the property of SAYFA SYSTEMS. The information may not be divulged or used in any form or by any means, for any purpose other than that stated by SAYFA SYSTEMS. Storage, transmittal, forwarding to third party, copying, reproduction, viewing or scanning of this Drawing by any person or party, whether in whole or in part is prohibited, except with express prior written consent by SAYFA SYSTEMS. The perspective is only an indication of the planned installation.

### 3-Sixty Anchor on Everbright Roofing System

Material

Product Code

FAB NO:

#### REVISIONS

No	Date	By	Rep	REMARKS
1	27/4/15	MV		Proofing
2				...
3				...
4				...
5				...

Drawing No.  
5758