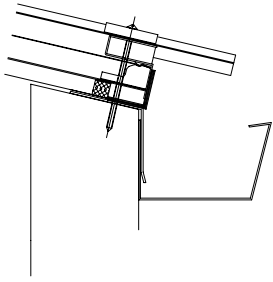
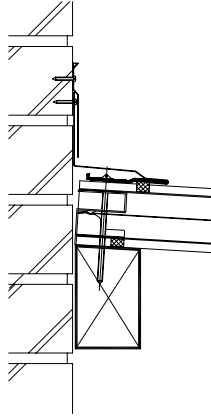


Standard detail 01



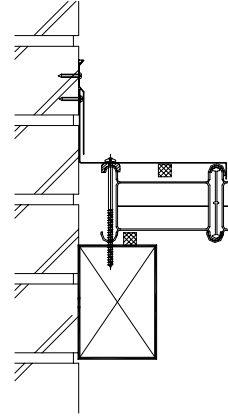
Mono pitched eaves

Standard detail 02



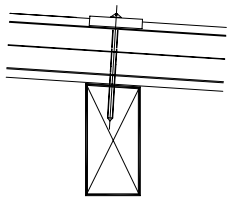
Typical abutment/ridge

Standard detail 03



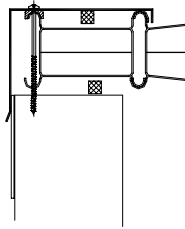
Verge abutment

Standard detail 04



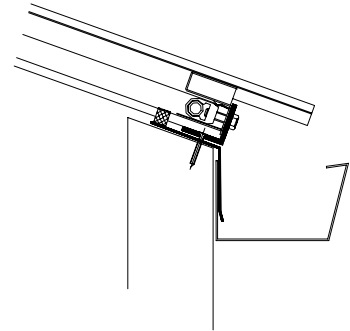
Intermediate support

Standard detail 05



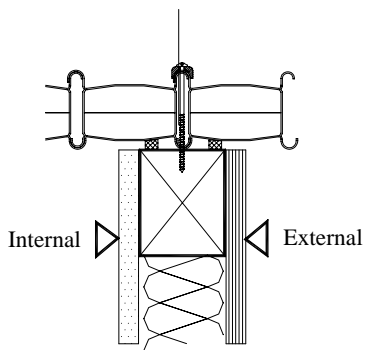
Typical verge

Standard detail 06



Barrel vaulted eaves

Standard detail 07



Flying verge